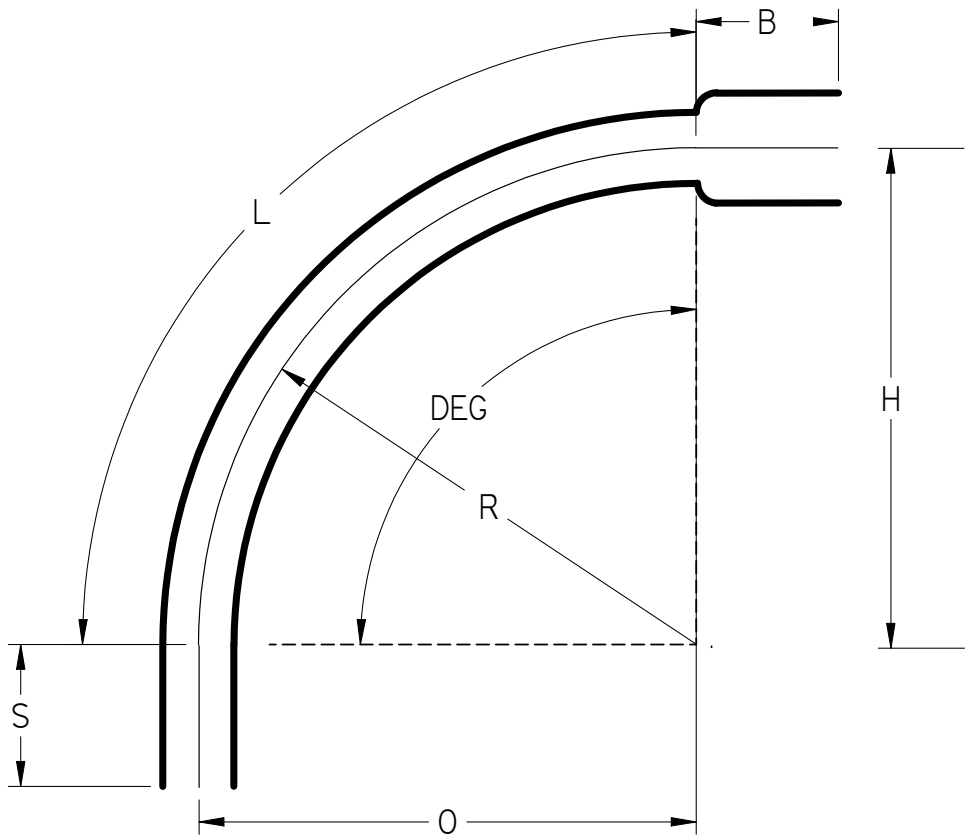
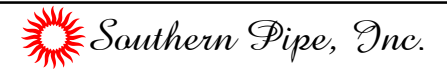


Part Number	Size	Deg	R	O	H	S Min	B Min	L
51120	2"	90°	24	24	24	2"	1.75	37.75



UL Listed 651
 NEMA TC3
 See NEC Article 352 for Usage



90° Elbows Belled End Schedule 40 24" Radius

UNLESS OTHERWISE SPECIFIED
 DIMENSIONS ARE IN INCHES
 ANGLES ±2.0°

	NAME	DATE
DRAWN	K. Mitchell	03/28/13
CHECKED		
ENG APPR		
FILE: 90 DEG SCH 80 24 RAD BE.dft	REV	10