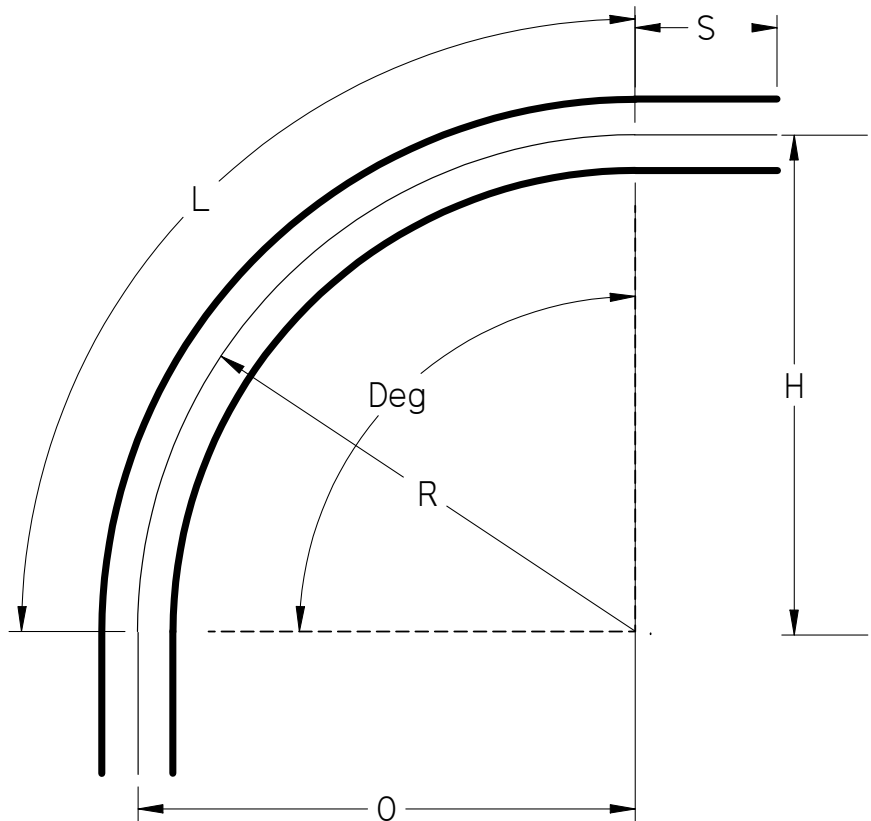
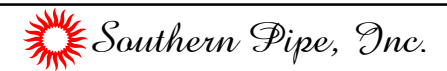


Part Number	Size	Deg	R	O	H	S Min	L
52208	3/4"	90°	24	24	24	1.5"	37.75
52210	1"	90°	24	24	24	1.875"	37.75
52212	1 1/4"	90°	24	24	24	2"	37.75
52215	1 1/2"	90°	24	24	24	2"	37.75
52220	2"	90°	24	24	24	2"	37.75
52225	2 1/2"	90°	24	24	24	3"	37.75
52230	3"	90°	24	24	24	3.125"	37.75
52235	3 1/2"	90°	24	24	24	3.25"	37.75
52240	4"	90°	24	24	24	3.375"	37.75



UL Listed 651  
 NEMA TC3  
 See NEC Article 352 for Usage



90° Elbows Plain End Schedule 40 24" Radius

UNLESS OTHERWISE SPECIFIED  
 DIMENSIONS ARE IN INCHES  
 ANGLES ±2.0°

	NAME	DATE
DRAWN	K. Mitchell	03/28/13
CHECKED		
ENG APPR		
FILE: 90 DEG SCH 80 24 RAD PE.dft	REV	10