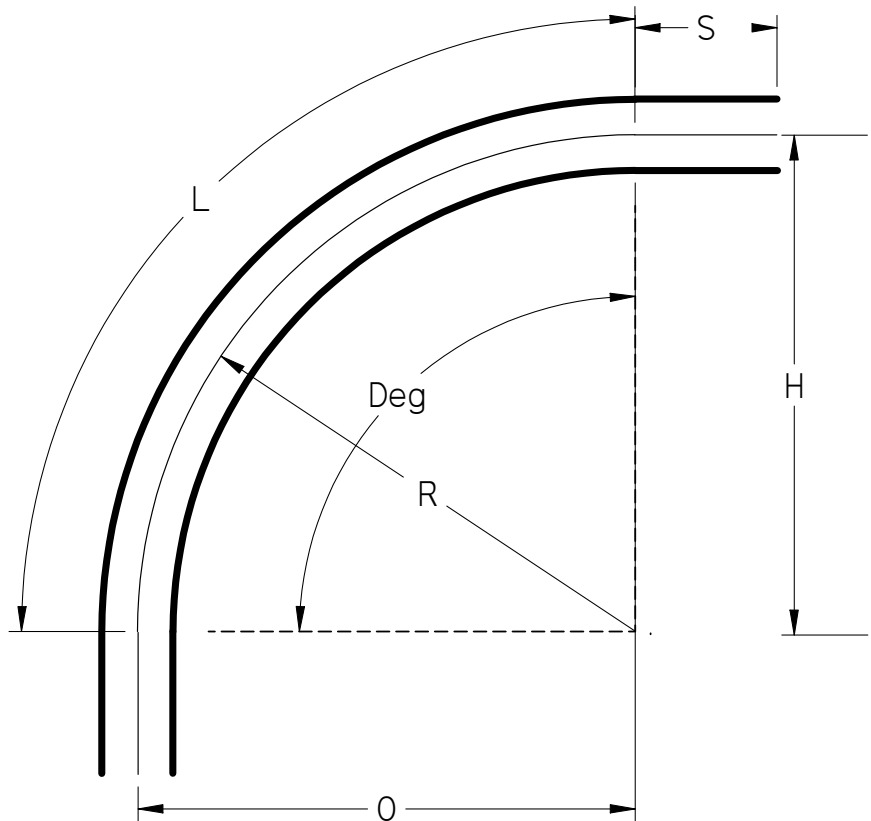


Part Number	Size	Deg	R	O	H	S Min	L
52310	1"	90°	30	30	30	1.875"	47.125
52312	1 1/4"	90°	30	30	30	2"	47.125
52315	1 1/2"	90°	30	30	30	2"	47.125
52320	2"	90°	30	30	30	2"	47.125
52325	2 1/2"	90°	30	30	30	3"	47.125
52330	3"	90°	30	30	30	3.125"	47.125
52335	3 1/2"	90°	30	30	30	3.25"	47.125
52340	4"	90°	30	30	30	3.375"	47.125
52350	5"	90°	30	30	30	3.625"	47.125



UL Listed 651
 NEMA TC3
 See NEC Article 352 for Usage



90° Elbows Plain End Schedule 40 30" Radius

UNLESS OTHERWISE SPECIFIED
 DIMENSIONS ARE IN INCHES
 ANGLES ±2.0°

	NAME	DATE
DRAWN	K. Mitchell	03/28/13
CHECKED		
ENG APPR		
FILE: 90 DEG SCH 80 30 RAD PE.dft	REV	10