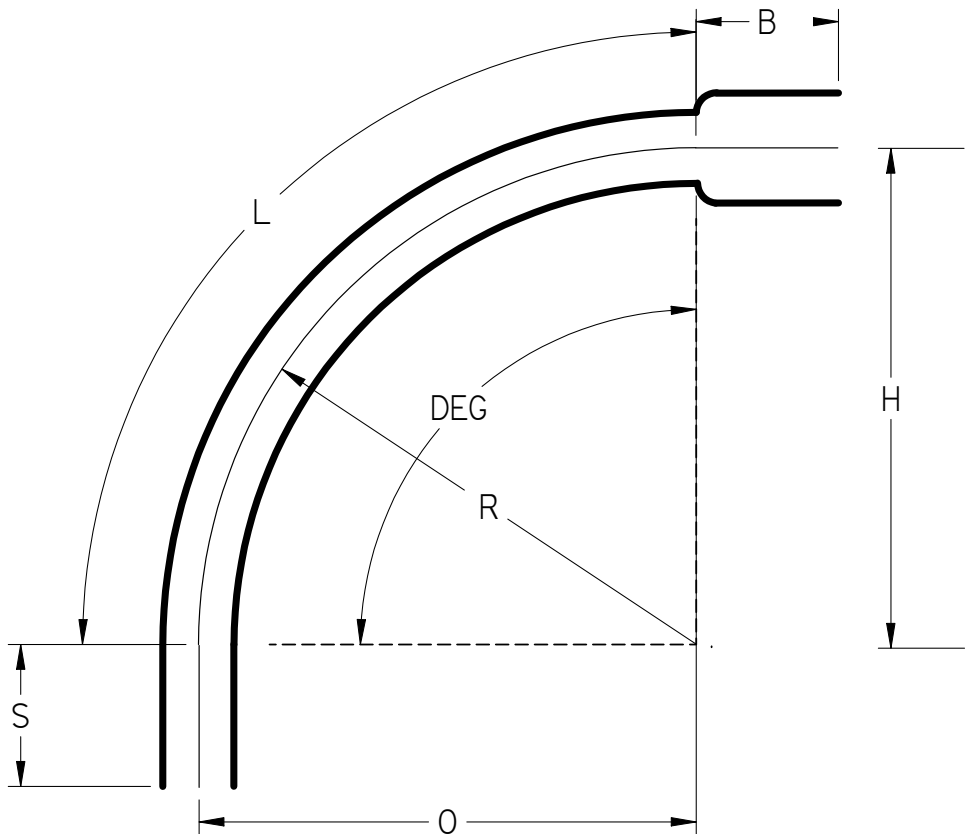


Part Number	Size	Deg	R	O	H	S Min	B Min	L
50210	1"	90°	36	36	36	1.875"	15	56.5
50220	2"	90°	36	36	36	2"	1.75	56.5
50230	3"	90°	36	36	36	3.125"	2.875	56.5
50240	4"	90°	36	36	36	3.375"	3.375	56.5
50250	5"	90°	36	36	36	3.625"	4	56.5
50260	6"	90°	36	36	36	3.75"	5	56.5



Ⓢ Listed 651  
 NEMA TC3  
 See NEC Article 352 for Usage



90° Elbows Belled End Schedule 40 36" Radius

UNLESS OTHERWISE SPECIFIED  
 DIMENSIONS ARE IN INCHES  
 ANGLES ±2.0°

	NAME	DATE
DRAWN	K. Mitchell	03/28/13
CHECKED		
ENG APPR		
FILE: 90 DEG SCH 80 36 RAD BE.dft		REV 10