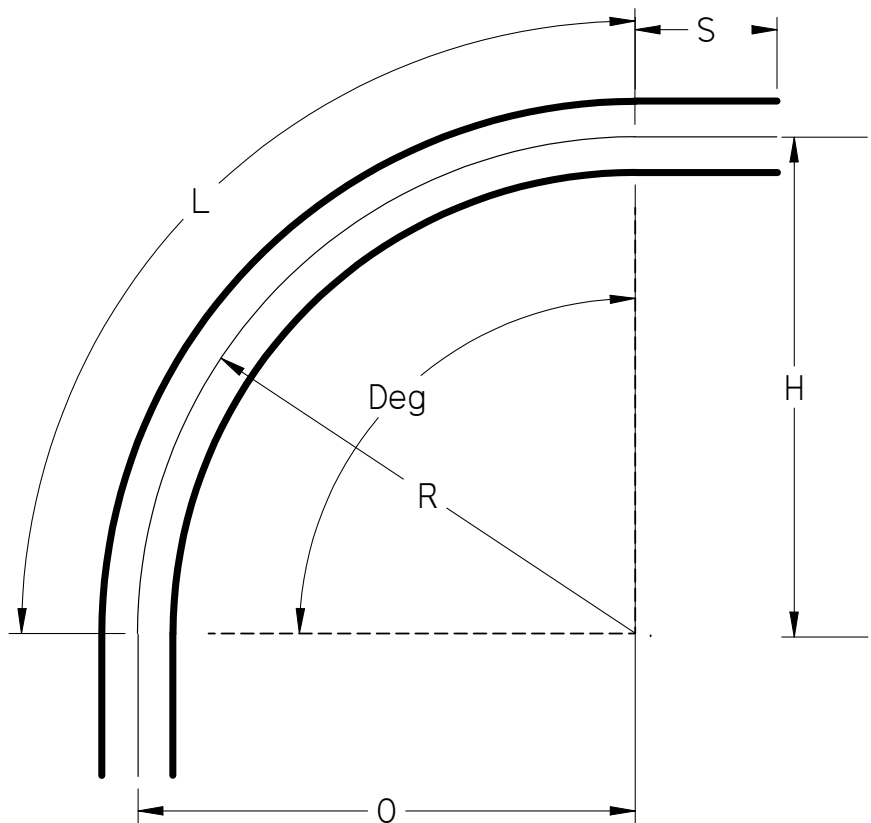
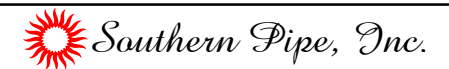


Part Number	Size	Deg	R	O	H	S Min	L
52408	3/4"	90°	36	36	36	1.5"	56.5
52410	1"	90°	36	36	36	1.875"	56.5
52412	1 1/4"	90°	36	36	36	2"	56.5
52415	1 1/2"	90°	36	36	36	2"	56.5
52420	2"	90°	36	36	36	2"	56.5
52425	2 1/2"	90°	36	36	36	3"	56.5
52430	3"	90°	36	36	36	3.125"	56.5
52435	3 1/2"	90°	36	36	36	3.25"	56.5
52440	4"	90°	36	36	36	3.375"	56.5
52450	5"	90°	36	36	36	3.625"	56.5
52460	6"	90°	36	36	36	3.75"	56.5



Ⓢ Listed 651
 NEMA TC3
 See NEC Article 352 for Usage



90° Elbows Plain End Schedule 40 36" Radius

UNLESS OTHERWISE SPECIFIED
 DIMENSIONS ARE IN INCHES
 ANGLES ±2.0°

	NAME	DATE
DRAWN	K. Mitchell	03/28/13
CHECKED		
ENG APPR		
FILE: 90 DEG SCH 80 36 RAD PE.dft		REV 10