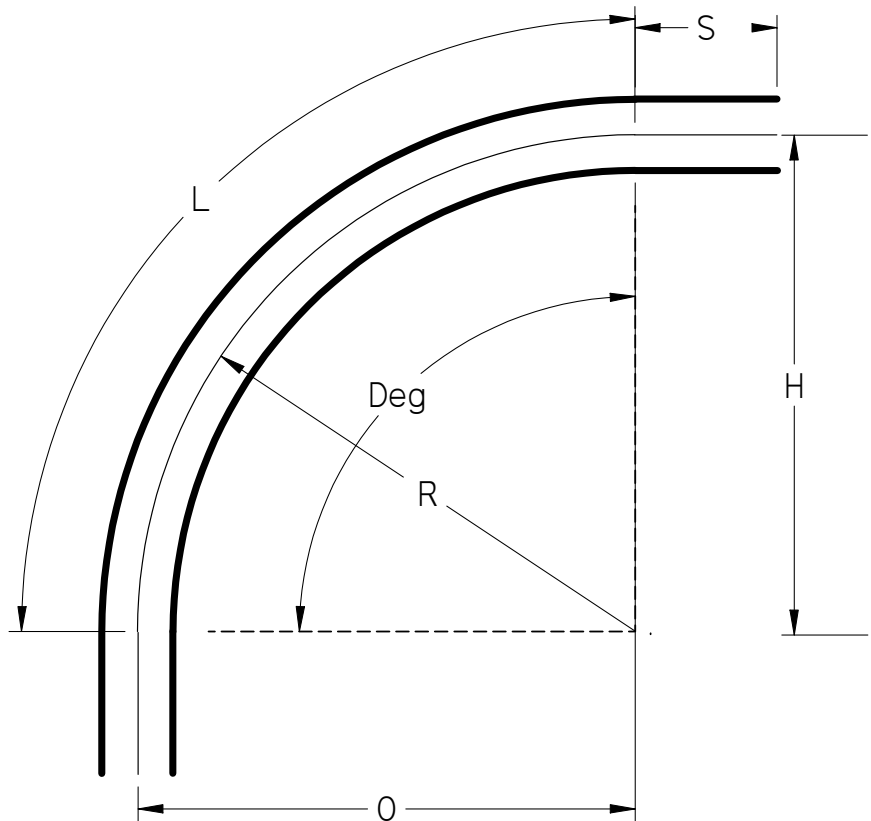


Part Number	Size	Deg	R	O	H	S Min	L
52040	4"	90°	60	60	60	3.375"	94.25
52050	5"	90°	60	60	60	3.625"	94.25
50602	6"	90°	60	60	60	3.75"	94.25



UL Listed 651  
 NEMA TC3  
 See NEC Article 352 for Usage



90° Elbows Plain End Schedule 80 60" Radius

UNLESS OTHERWISE SPECIFIED  
 DIMENSIONS ARE IN INCHES  
 ANGLES ±2.0°

	NAME	DATE
DRAWN	K. Mitchell	03/28/13
CHECKED		
ENG APPR		
FILE: 90 DEG SCH 80 60 RAD PE.dft	REV	10