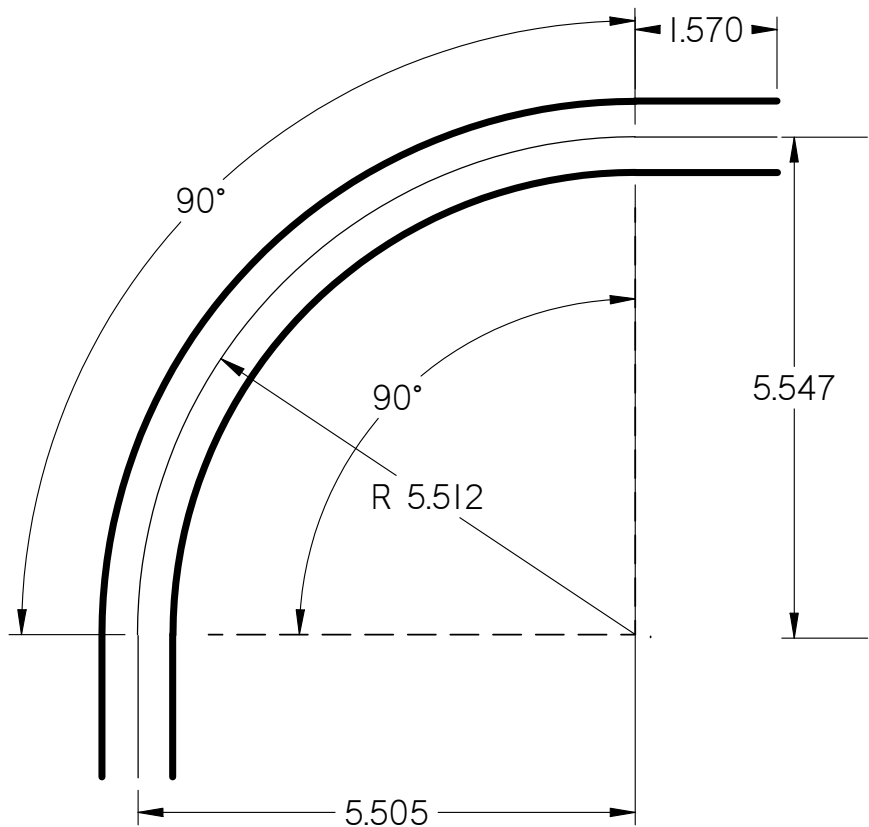
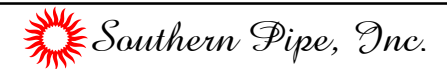


Part Number	Size	Deg	R	O	H	S Min	L
50605	1/2"	90°	4"	4"	4"	15"	6.283
50608	3/4"	90°	4.5"	4.5"	4.5"	15"	7.069
50610	1"	90°	5.75"	5.75"	5.75"	18.75"	9.032
50612	1 1/4"	90°	7.25"	7.25"	7.25"	2"	11.388
50615	1 1/2"	90°	8.25"	8.25"	8.25"	2"	12.959
50620	2"	90°	9.25"	9.25"	9.25"	2"	14.53
50625	2 1/2"	90°	10.5"	10.5"	10.5"	3"	16.493
50630	3"	90°	13"	13"	13"	3.125"	20.43
50635	3 1/2"	90°	15"	15"	15"	3.25"	23.562
50640	4"	90°	16"	16"	16"	3.375"	25.133
50650	5"	90°	24"	24"	24"	3.625"	37.699
50660	6"	90°	30"	30"	30"	3.75"	47.124



 Listed 651
 NEMA TC3
 See NEC Article 352 for Usage



90° Elbows Plain End Schedule 80 Standard Radius

UNLESS OTHERWISE SPECIFIED
 DIMENSIONS ARE IN INCHES
 ANGLES ±2.0°

	NAME	DATE
DRAWN	K. Mitchell	04/01/13
CHECKED		
ENG APPR		
FILE: 90 DEG SCH 80 STD RAD PE.dft		REV 10