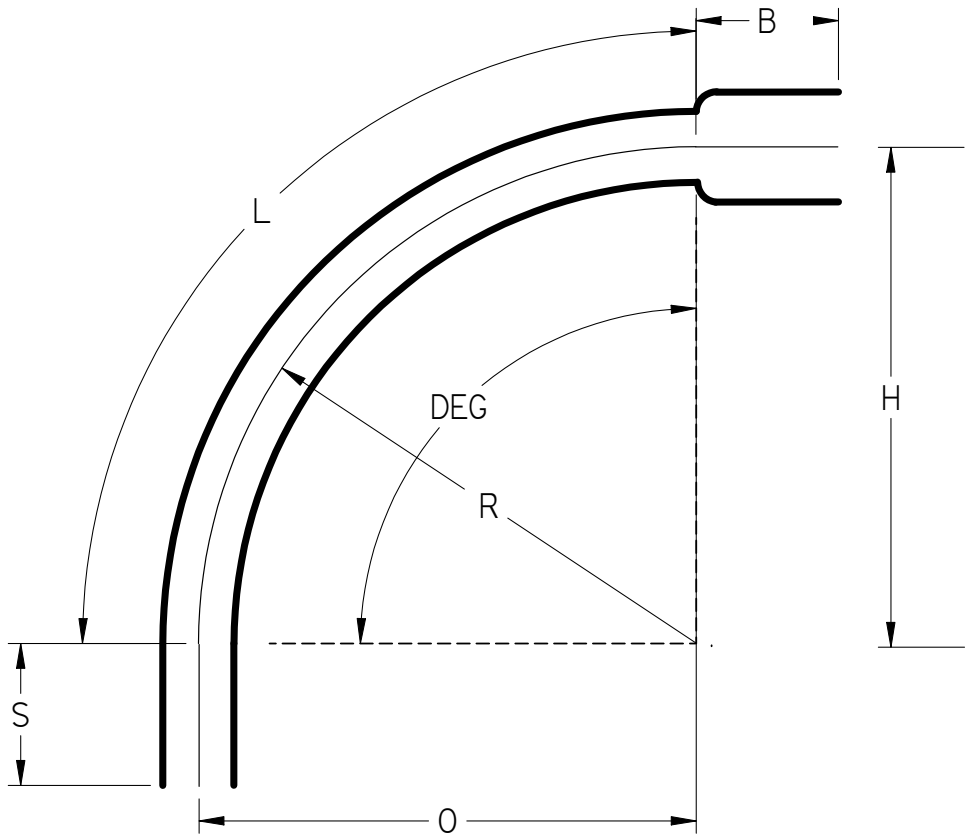
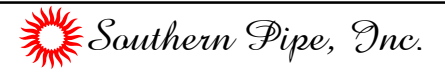


Part Number	Size	Deg	R	O	H	S Min	B Min	L
62120	2"	90°	18	18	18	2"	1.75	28.25
62130	3"	90°	18	18	18	3.125"	2.875	28.25



NEMA TC 6
NEMA TC 3
See NEC Article 352 for Usage



90° Elbows Belled End TC 6 DB-60 18 "Radius

UNLESS OTHERWISE SPECIFIED
DIMENSIONS ARE IN INCHES
ANGLES ±2.0°

	NAME	DATE
DRAWN	K. Mitchell	04/01/13
CHECKED		
ENG APPR		
FILE: 90 DEG TC 6 DB-60 18 RAD.dft		REV 10