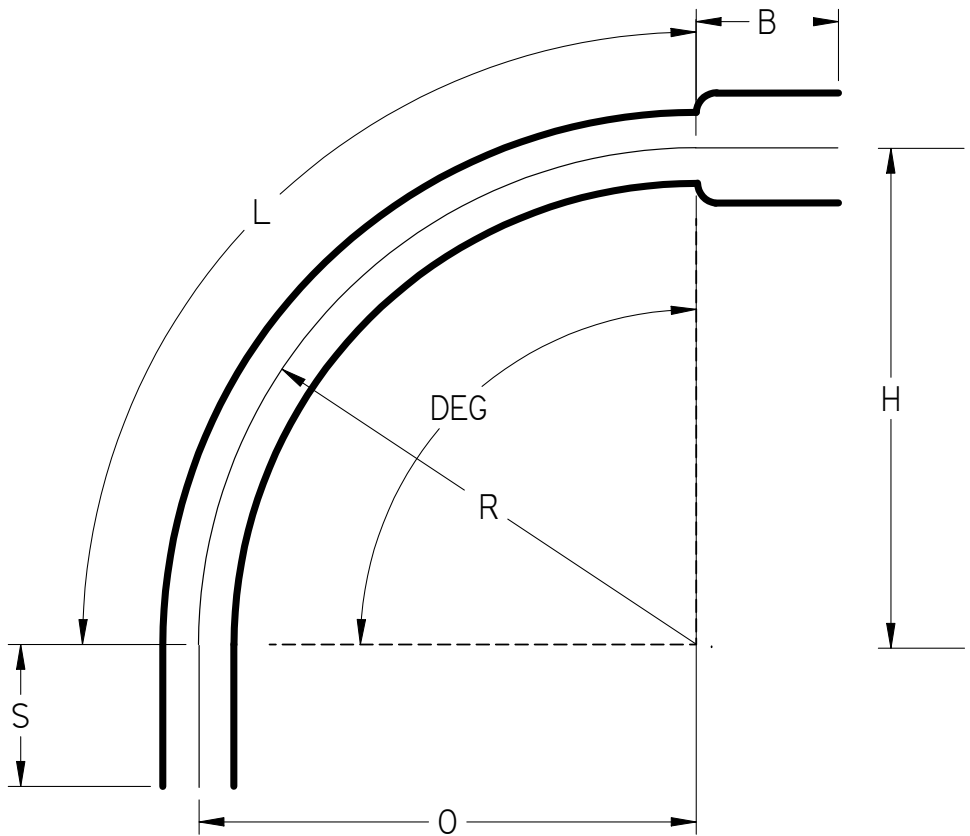
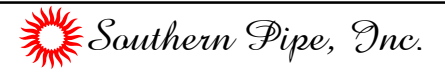


Part Number	Size	Deg	R	O	H	S Min	B Min	L
62220	2"	90°	24	24	24	2"	1.75	37.75
62230	3"	90°	24	24	24	3.125"	2.875	37.75
62240	4"	90°	24	24	24	3.375"	3.375	37.75



NEMA TC 6
 NEMA TC 3
 See NEC Article 352 for Usage



90° Elbows Belled End TC 6 DB-60 24" Radius

UNLESS OTHERWISE SPECIFIED
 DIMENSIONS ARE IN INCHES
 ANGLES ±2.0°

	NAME	DATE
DRAWN	K. Mitchell	04/01/13
CHECKED		
ENG APPR		
FILE: 90 DEG TC 6 DB-60 24 RAD.dwg		REV 10