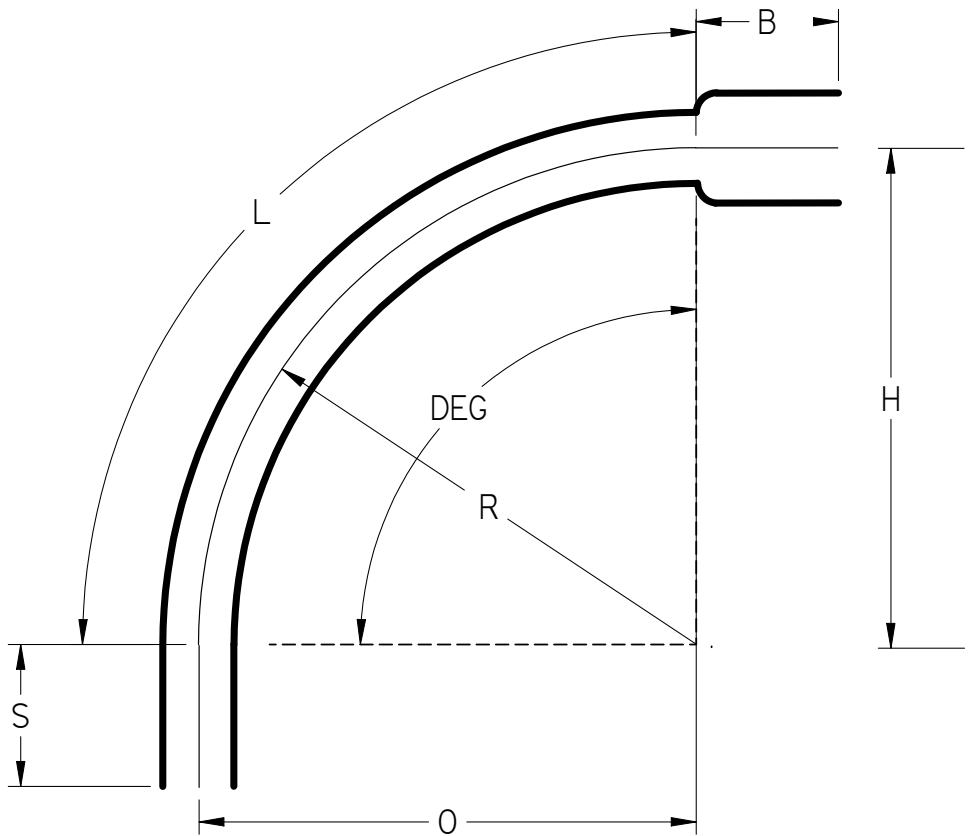
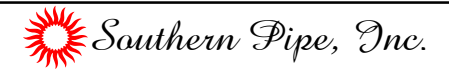


Part Number	Size	Deg	R	O	H	S Min	B Min	L
62320	2"	90°	36	36	36	2"	1.75	56.5
62330	3"	90°	36	36	36	3.125"	2.875	56.5
62340	4"	90°	36	36	36	3.375"	3.375	56.5
62350	5"	90°	36	36	36	3.625"	4	56.5
62360	6"	90°	36	36	36	3.75"	5	56.5



NEMA TC 6
 NEMA TC 3
 See NEC Article 352 for Usage



90° Elbows Belled End TC 6 DB-60 36" Radius

UNLESS OTHERWISE SPECIFIED
 DIMENSIONS ARE IN INCHES
 ANGLES ±2.0°

	NAME	DATE
DRAWN	K. Mitchell	04/01/13
CHECKED		
ENG APPR		
FILE: 90 DEG TC 6 DB-60 36 RAD.dft		REV 10