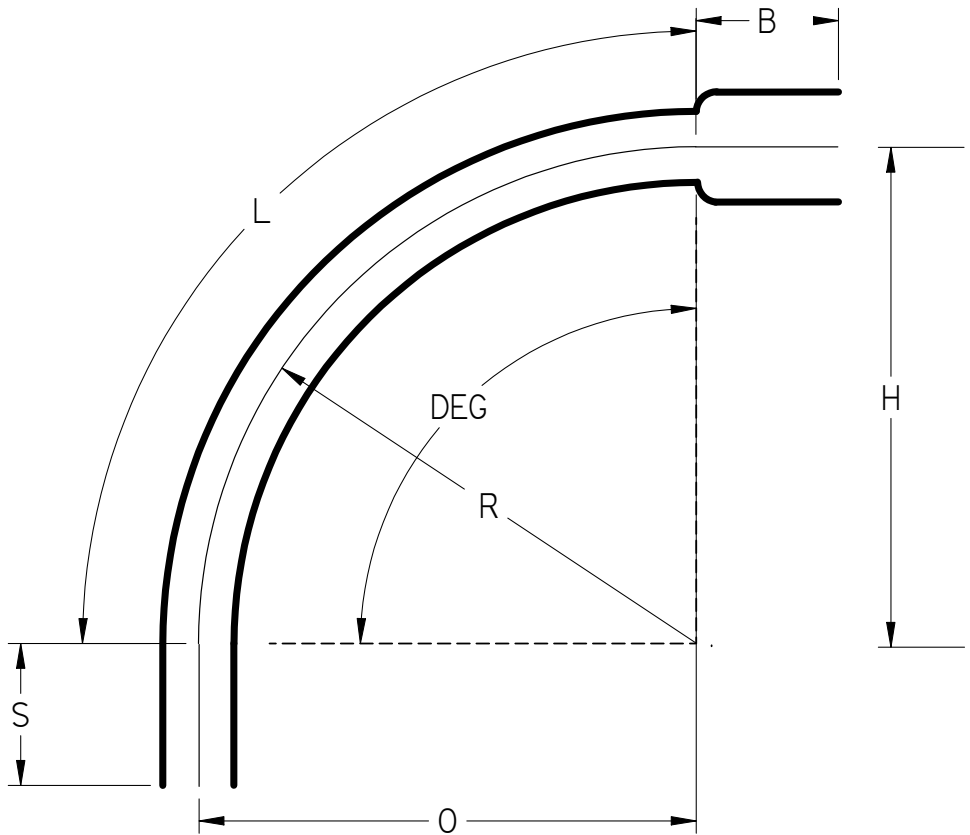


Part Number	Size	Deg	R	O	H	S Min	B Min	L
62520	2"	90°	60	60	60	2"	1.75	94.25
62530	3"	90°	60	60	60	3.125"	2.875	94.25
62540	4"	90°	60	60	60	3.375"	3.375	94.25
62550	5"	90°	60	60	60	3.625"	4	94.25
62560	6"	90°	60	60	60	3.75"	5	94.25



NEMA TC 6
NEMA TC 3
See NEC Article 352 for Usage



90° Elbows Belled End Schedule 40 60" Radius

UNLESS OTHERWISE SPECIFIED
DIMENSIONS ARE IN INCHES
ANGLES ±2.0°

	NAME	DATE
DRAWN	K. Mitchell	04/01/13
CHECKED		
ENG APPR		
FILE: 90 DEG TC 6 DB-60 60 RAD.dwg		REV 10