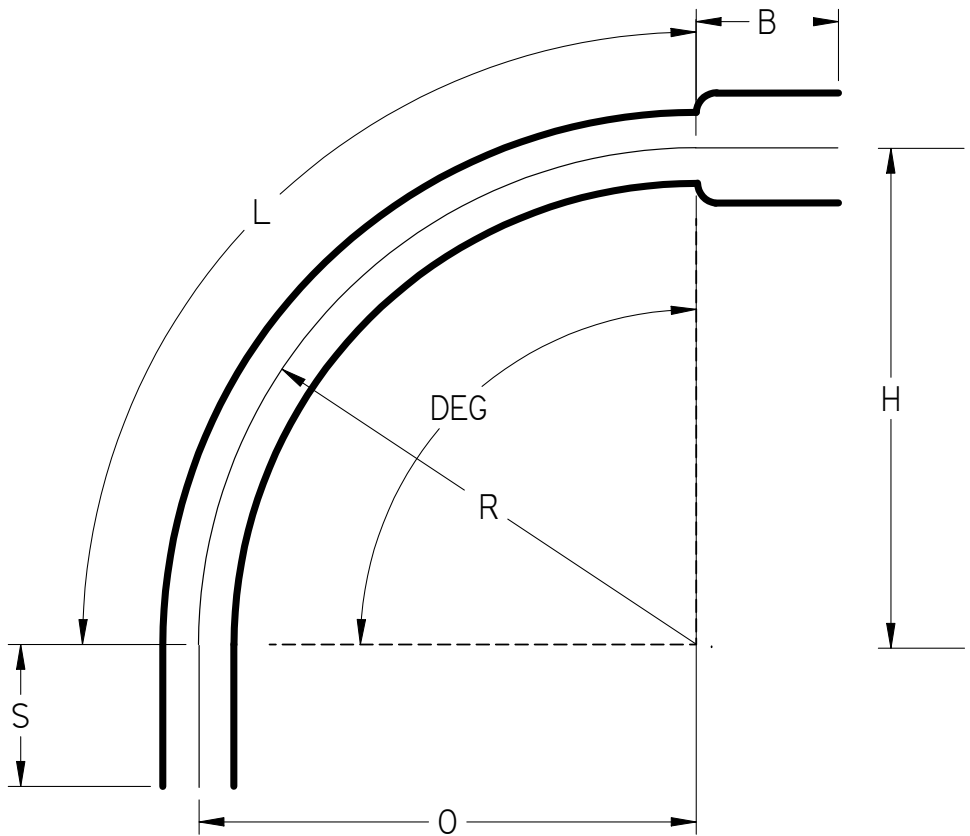


| Part Number | Size | Deg | R | O | H | S Min | B Min | L |
|-------------|------|-----|----|----|----|--------|-------|------|
| 82330 | 3" | 90° | 36 | 36 | 36 | 3.125" | 2.875 | 56.5 |
| 82340 | 4" | 90° | 36 | 36 | 36 | 3.375" | 3.375 | 56.5 |
| 82350 | 5" | 90° | 36 | 36 | 36 | 3.625" | 4 | 56.5 |
| 83260 | 6" | 90° | 36 | 36 | 36 | 3.75" | 5 | 56.5 |



NEMA TC 8
NEMA TC 3
See NEC Article 352 for Usage



90° Elbows Belled End TC 8 DB-120 36" Radius

UNLESS OTHERWISE SPECIFIED
DIMENSIONS ARE IN INCHES
ANGLES ±2.0°

| | NAME | DATE |
|-------------------------------------|-------------|----------|
| DRAWN | K. Mitchell | 04/01/13 |
| CHECKED | | |
| ENG APPR | | |
| FILE: 90 DEG TC 8 DB-120 36 RAD.dwg | | REV 10 |