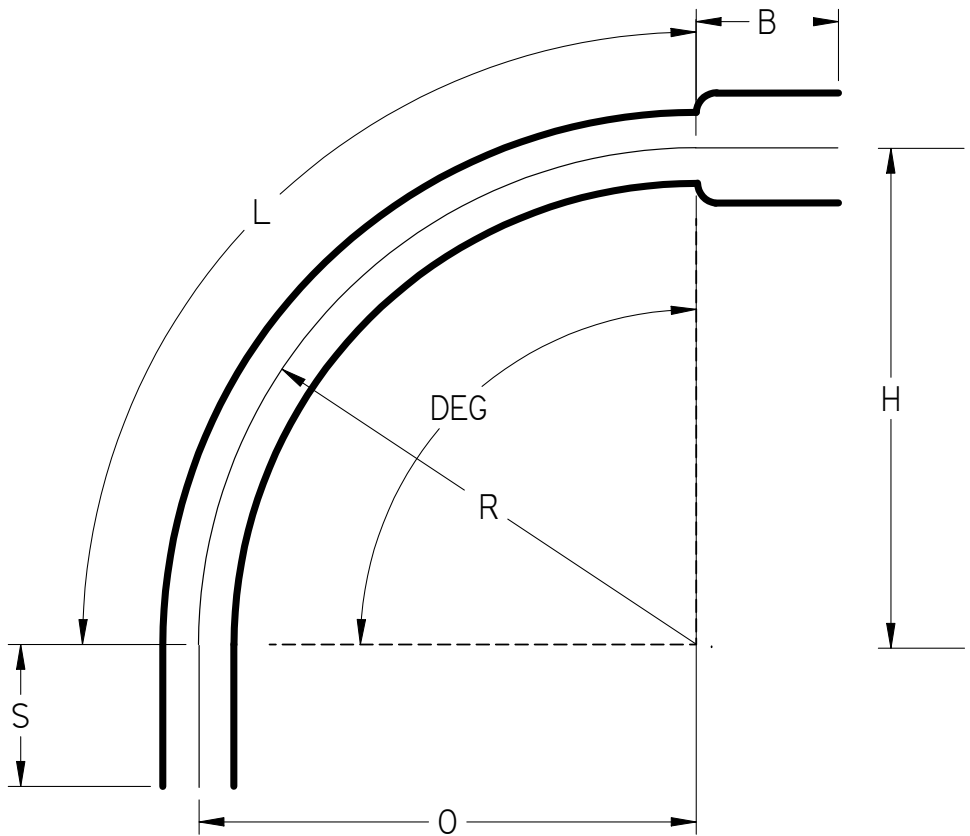


Part Number	Size	Deg	R	O	H	S Min	B Min	L
82740	4"	90°	48	48	48	3.375"	3.375	75.375
82750	5"	90°	48	48	48	3.625"	4	75.375
82760	6"	90°	48	48	48	3.75"	5	75.375



NEMA TC 8
NEMA TC 3
See NEC Article 352 for Usage



90° Elbows Belled End Schedule 40 48" Radius

UNLESS OTHERWISE SPECIFIED
DIMENSIONS ARE IN INCHES
ANGLES ±2.0°

	NAME	DATE
DRAWN	K. Mitchell	04/01/13
CHECKED		
ENG APPR		
FILE: 90 DEG TC 8 DB-120 48 RAD.dwg		REV 10